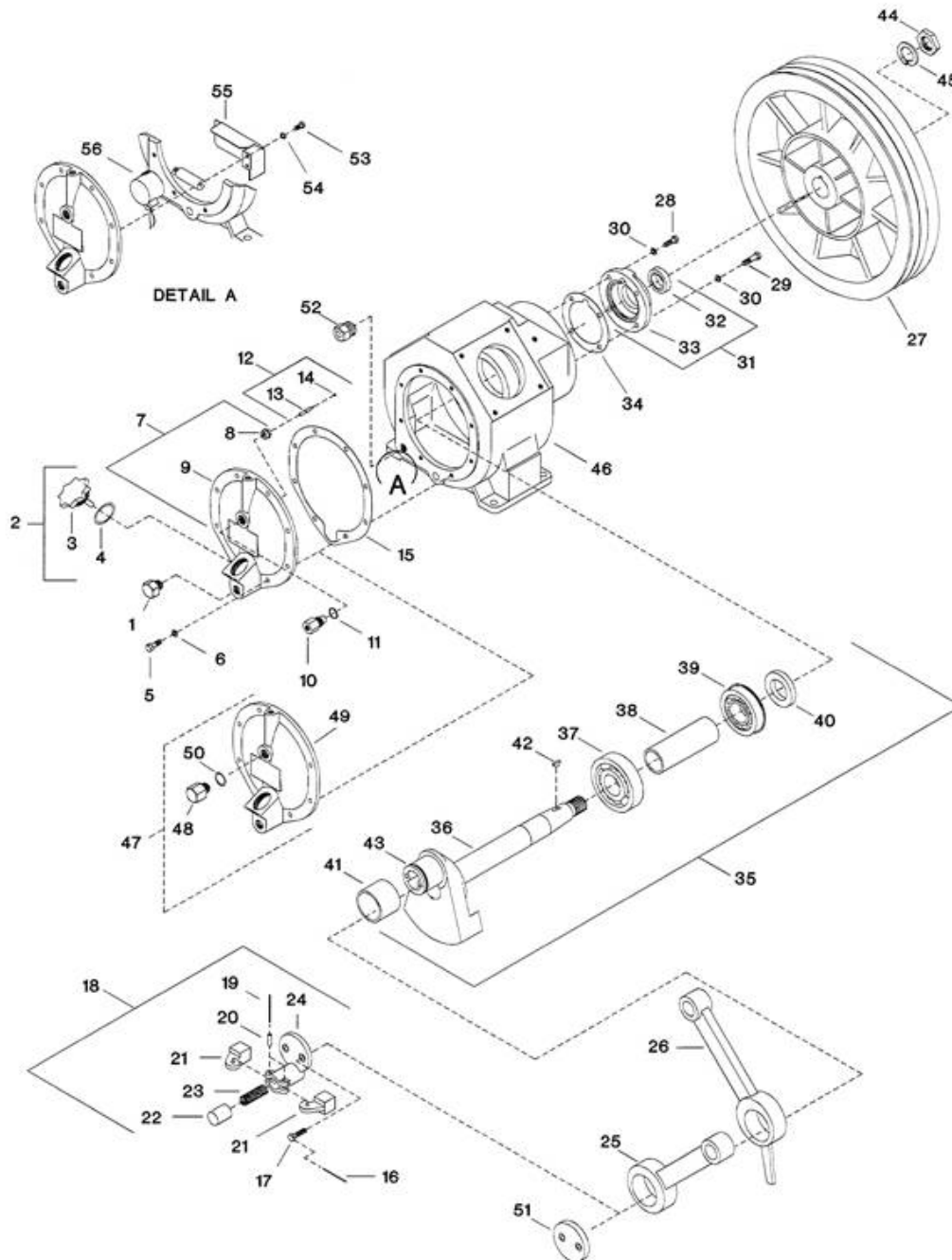


1. Compressor Frame Assembly - Model 7100



All manufacturer's names, numbers, photos, product description and/or part numbers are used for reference purposes only & it is not implied that any part listed is the product of these manufacturers. Since Approvement are made from time to time, the illustration and specifications are subject to change without notice.

1. Compressor Frame Assembly - Model 7100

REF. NO.	PART NO.	DESCRIPTION	QTY.	SPARES		
				1	2	3
1-1	95344651	PLUG, PIPE - HEX HEAD 1/2"	1			
1-2	32195083	PLUG, OIL GAUGE - COMPLETE	1			
1-3	NSS	• PLUG, OIL GAUGE	1			
1-4	95022158	• O-RING - OIL GAUGE PLUG	1	1	1	2
1-5	95053146	CAPSCREW - HEX 3/8-16 X 7/8"	8			
1-6	95674677	GASKET, COPPER WASHER - 3/8"	8			
1-7	31246572	ASS'Y, FRAME END COVER (UNITS WITH CENTRIFUGAL UNLOADER)	1			
1-8	37128261	• BUSHING, PILOT VALVE	1			
1-9	NSS	• COVER, FRAME END	1			
1-10	37113701	VALVE, PILOT (IF SUPPLIED)	1		1	1
1-11	30346597	WASHER, COPPER	1			
1-12	32218406	ASS'Y, THRUST PIN (IF SUPPLIED)	1			
1-13	NSS	• PIN, THRUST	1			
1-14	95210225	• O-RING	1	1	1	2
1-15	30439277	GASKET, FRAME END COVER	1	1	1	2
1-16	90799289	LOCKWIRE - 12 GA X 5"	1			
1-17	95101929	CAPSCREW - HEX 3/8-16 X 1"	2			
1-18	30290936	ASS'Y, CRANKPIN CAP - CENTRIFUGAL UNLOADER (UNITS WITH CENTRIFUGAL UNLOADER)	1			
1-19	90799271	• LOCKWIRE - 12 GA X 5"	1			
1-20	30214951	• PIN, CENTRIFUGAL UNLOADER WEIGHT	2			
1-21	30220875	• WEIGHT, CENTRIFUGAL UNLOADER	2			
1-22	30285688	• PLUNGER, CENTRIFUGAL UNLOADER	1			
1-23	30672281	• SPRING, CENTRIFUGAL UNLOADER	1			1
1-24	30210322	• BODY, CRANKPIN CAP	1			
1-25	32003859	ROD, CONNECTING - FIRST STAGE LOW PRESSURE	1		1	1
1-26	30217327	ROD, CONNECTING - SECOND STAGE HIGH PRESSURE	1		1	1
1-27	32177206	WHEEL, V-BELT	1			
1-28	95053146	CAPSCREW - HEX 3/8-16 X 7/8"	2			
1-29	95043766	CAPSCREW - HEX 3/8-16 X 1-1/4"	2			
1-30	95674677	GASKET, COPPER WASHER - 3/8"	4			
1-31	37125333	ASS'Y, SHAFT END COVER	1			
1-32	32204568	• SEAL	1		1	2
1-33	NSS	• COVER, SHAFT END	1			
1-34	30295166	GASKET, SHAFT END COVER	1	1	1	2
1-35	30211627	ASS'Y, CRANKSHAFT - COMPLETE	1			
1-36	NSS	• ASS'Y, DISC AND SHAFT	1			
1-37	95305652	• BEARING, BALL	1			
1-38	30218432	• SPACER, MAIN BEARING	1			
1-39	95213971	• BEARING, BALL - WITH SNAP RING	1			
1-40	30216808	• RING, BEARING RETAINER	1			
1-41	37002375	• BUSHING, CRANKPIN	1			
1-42	95047437	• KEY, WOODRUFF	1			
1-43	32187684	• LOCTITE 609 - TUBE	.5 MIL			
1-44	30835698	NUT, V-BELT WHEEL	1			
1-45	95064747	LOCKWASHER, SPRING - 1-3/8"	1			
1-46	32270571	FRAME, COMPRESSOR	1			
1-47	97335749	ASS'Y, FRAME END COVER (UNITS WITHOUT CENTRIFUGAL UNLOADER)	1			
1-48	30221311	PLUG, FRAME END COVER	1			
1-49	NSS	• COVER, FRAME END	1			
1-50	30346597	WASHER, 7/8"	1			
1-51	30210348	CAP, CRANKPIN (UNITS WITHOUT CENTRIFUGAL UNLOADER)	1			
1-52	97334270	GLASS, OIL SIGHT (IF PROVIDED)	1			
		DETAIL A - LOW OIL LEVEL SWITCH (IF PROVIDED)				
1-53	95053070	CAPSCREW - HEX 1/4-20 X 1/2"	2			
1-54	95043196	LOCKWASHER, SPRING - 1/4"	2			
1-55	30285548	BAFFLE, LOW OIL LEVEL SWITCH	1			
1-56	32276313	SWITCH, LOW OIL LEVEL - NEMA 1	1			

All manufacturer's names, numbers, photos, product description and/or part numbers are used for reference purposes only & it is not implied that any part listed is the product of these manufacturers. Since Approvement are made from time to time, the illustration and specifications are subject to change without notice.